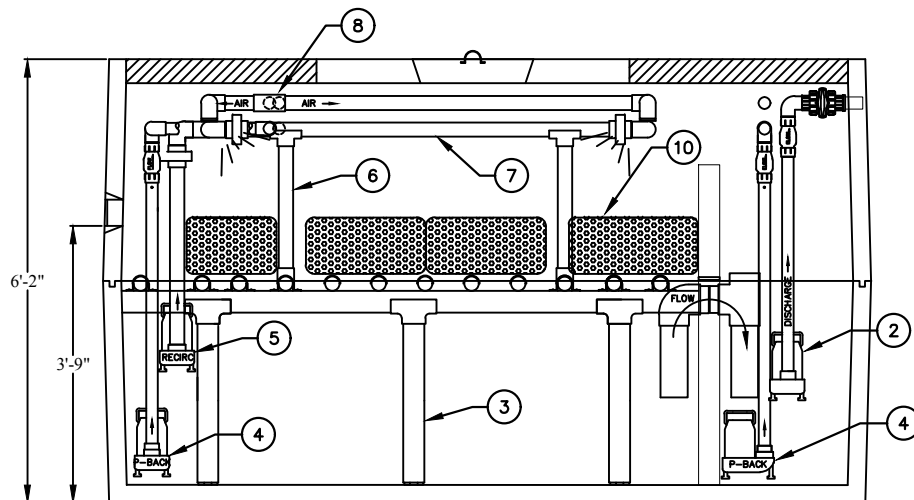


NOTE: CONCRETE TANK CAPACITIES REMAIN THE SAME. HOWEVER, TANK DIMENSIONS MAY VARY BY STATE



9	12	Media Bags (Large) 32 CUFT
8	1	Air Header Assembly
7	1	Spray Header Assembly
6	1	Spray Header Support Structure
5	1	Recirculation Pump, Tsurumi 50PN2.75S
4	2	Pump Back Assem. Tsurumi 50PU2.15S
3	1	Support Structure
2	1	Discharge Pump Assem. Tsurumi 50PU2.15S
1	1	2000 Gal. Concrete Tank

ITEM	QTY.	DESCRIPTION
SeptiTech ® a subsidiary of Bio-Microbics, Inc.		
		DES.BY: JSC
		DR.BY: JSC
		CK.BY:

PROJECT NO.:

STAAR(TM) 1.2 CONCRETE
TOTAL TANK LAYOUT

DATE: 07/2008

DWG. NO.:

SCALE: 3/8"=1'-0"

REV.: